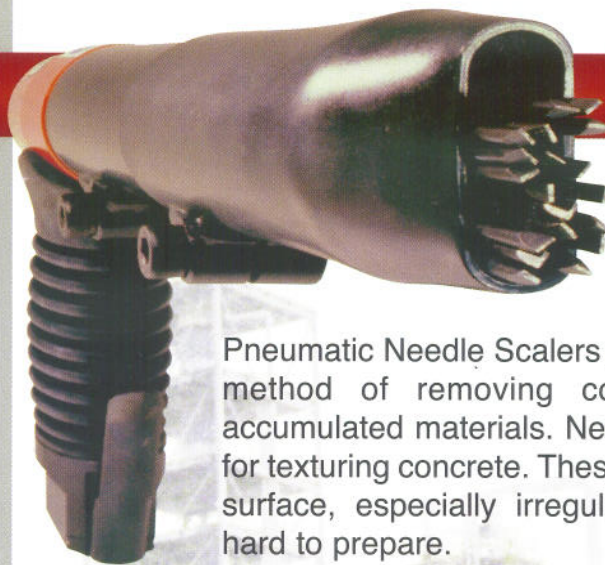


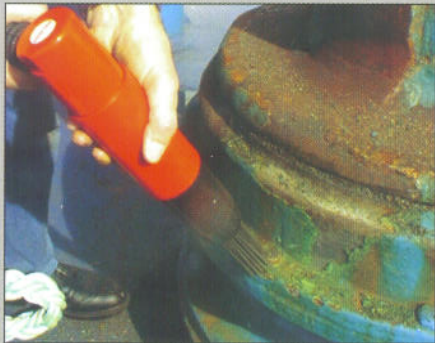
NEEDLE SCALERS



Pneumatic Needle Scalers provide a thorough and effective method of removing coatings, corrosion and other accumulated materials. Needle scalers are also often used for texturing concrete. These scalers will work on almost any surface, especially irregular surfaces that are otherwise hard to prepare.

Commonly used as chisel scalers for brick raking, chipping and splitting applications, Needle Scalers convert to Chisel Scalers in seconds.

Please consult Novatek for further details on our range of low vibration Needle/Chisel Scalers.



All Needle Scalers are supplied with chisel tip needles as standard. Optional needles are available as listed below:

Flat Tip	2,3 or 4mm Dia.
Chisel Tip	3 or 4mm Dia.
Flat Tip Beryllium Copper	3mm Dia.



A selection of Chisel Scalers can be fitted with standard or Spark Resistant Chisels.

FEATURES AND BENEFITS:

Various Sizes and Handle Configurations

- Choose the best tool for the application

Adjustable/Adaptable Round or Straight Front Tubes

- Concentrates needle coverage for better results
- Less chance of needles bending

Versatile/Interchangeable Chisel Holders

- Accepts industry standard 1/2" (12mm) square shank chisels
- 3BPG model has a special chisel holder option 5/8" (16mm) hexagon shank chisels and scrapers up to 12" (300mm) wide

Minimum Parts, Maximum Performance

- All moving parts are steel (not plastic), for longer tool life and low maintenance

Flexible Chisel Positioning

- Provides operator comfort resulting in less fatigue

Low Vibration

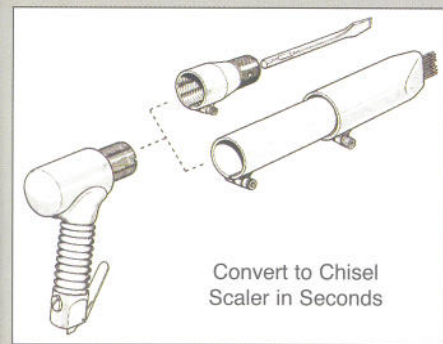
- Low vibration tools reduce the risk of vibration related injuries

NEEDLE

SCALERS



Needle/Chisel Scaler kits available, includes a selection of spare needles & chisels to cover a range of applications



Convert to Chisel Scaler in Seconds



1

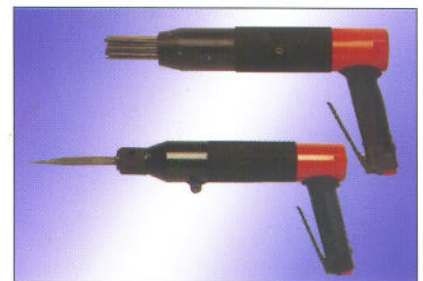


Model VL203 Challenger Pistol Grip

2



3

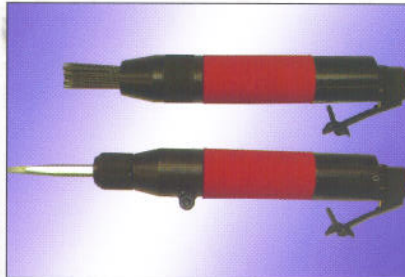


Model VL303 Challenger Pistol Grip

4



5

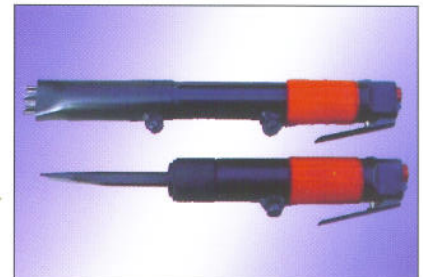


Model VL223 In-Line

6



7,8



Model 1B & 2B In-Line

9,10



11,12



Model 2BPG & 3BPG Pistol Grip

13,14



15,16



Model 3B & 4B Off Set Grip

17,18



Item No.	Model	Part No.	Needle Qty	Weight	Length	B.P.M.	Air Consumption
1	VL203 "Challenger" Needle Scaler *	196.2039	19 x 3mm	7.7lbs(3.5kg)	16.7"(425mm)	2200	5.5cfm (156lpm)
2	VL203 "Challenger" Chisel Scaler *	196.2339	N/A	7.9lbs(3.6kg)	15.7"(400mm)	2200	5.5cfm (156lpm)
3	VL303 "Challenger" Needle Scaler *	196.3099	28 x 3mm	7.7lbs(3.5kg)	14.5"(370mm)	3000	5.5cfm (156lpm)
4	VL303 "Challenger" Chisel Scaler *	196.3399	N/A	7.7lbs(3.5kg)	14.5"(370mm)	3000	5.5cfm (156lpm)
5	VL223 "Inline" Needle Scaler *	196.2139	19 x 3mm	7.7lbs(3.5kg)	16.7"(425mm)	2200	5.5cfm (156lpm)
6	VL223 "Inline" Chisel Scaler *	196.2239	N/A	7.9lbs(3.6kg)	15.7"(400mm)	2200	5.5cfm (156lpm)
7	1B Needle Scaler	111.1099	12 x 3mm	3.6lbs(1.7kg)	13.5"(343mm)	3800	3cfm (84lpm)
8	1B Chisel Scaler	114.1299	N/A	3.5lbs(1.6kg)	12.3"(313mm)	3800	3cfm (84lpm)
9	2B Needle Scaler	121.2099	19 x 3mm	5.8lbs(2.6kg)	14.8"(375mm)	3000	5.5cfm (156lpm)
10	2B Chisel Scaler	124.2299	N/A	4.4lbs(2.0kg)	13.5"(343mm)	3000	5.5cfm (156lpm)
11	2BPG Needle Scaler	123.2199	19 x 3mm	5.7lbs(2.6kg)	12.4"(315mm)	3000	5.5cfm (156lpm)
12	2BPG Chisel Scaler	125.2399	N/A	4.6lbs(2.1kg)	10.2"(260mm)	3000	5.5cfm (156lpm)
13	3B Needle Scaler	131.3099	28 x 3mm	9.9lbs(4.5kg)	18.3"(465mm)	2200	8cfm (226lpm)
14	3B Chisel Scaler	134.3299	N/A	7.5lbs(3.4kg)	16.8"(426mm)	2200	8cfm (156lpm)
15	3BPG Needle Scaler	133.3199	28 x 3mm	8.3lbs(3.8kg)	13.5"(342mm)	2200	5.5cfm (156lpm)
16	3BPG Chisel Scaler	135.3399	N/A	5.8lbs(2.6kg)	13.3"(339mm)	2200	5.5cfm (156lpm)
17	4B Needle Scaler	141.4099	35 X 4mm	13.0lbs(5.9kg)	19.0"(482mm)	2200	8.5cfm (240lpm)
18	4B Chisel Scaler	144.4299	N/A	8.8lbs(4.0kg)	17.3"(440mm)	2200	8.5cfm (240lpm)

*Indicates Vibration Reduced Scalers